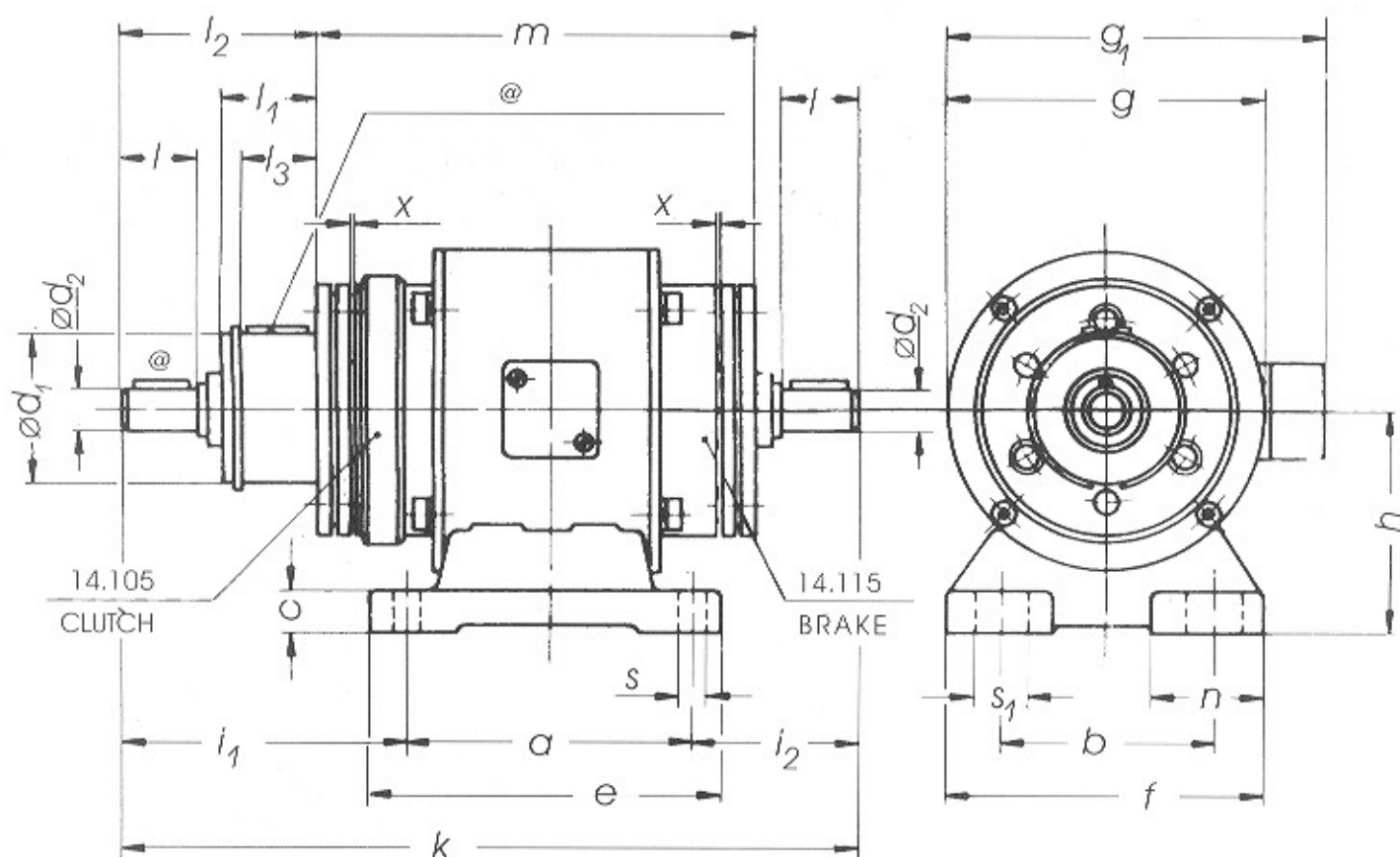


# CLUTCH-BRAKE UNIT

# TYPE : 14.121

## DIMENSIONS & PARAMETERS (All in mm)



SIZE	T Nm	Clutch P/Watt 20°C	Brake P/Watt 20°C	a	b	c	$d_{1.6}$	$d_{2.15}$	e	f	g	$g_1$	h	$i_1$	$i_2$	k	l	$l_1$	$l_2$	$l_3$	m	n	s	$s_1$	x
06	7.5	15	11.5	75	55	10	38	11	90	80	80	122	55	64	43	182	25	20	45.5	17	106.6	27.5	6.5	13.5	0.25
08	15	20	16	90	65	10	45	14	105	90	100	142	65	77.5	51.5	216	30	25	56	22	126.6	27.5	6.5	13.5	0.25
10	30	28	21	110	80	14	55	19	130	110	125	168	80	98	61	270	40	30	71.5	26.5	154	32.5	9	15.5	0.3
12	60	35	28	135	105	17	64	24	160	140	150	192	90	121.5	75.5	332	50	40	92.5	36.5	183.6	35	11.5	20	0.35
16	120	50	38	160	135	17	75	28	185	175	190	231	112	150	91	400	60	50	112.5	44.5	222	42.5	11.5	24.5	0.4
20	240	68	45	200	155	18	90	38	230	200	230	272	132	189	116	505	80	60	143.5	53.5	276	45	14	28	0.5
25	480	85	70	240	192.5	20	115	42	270	240	290	331	160	240	155.5	635.5	110	70	185	63.7	334	47.5	14	28.5	0.5

### SIZE SELECTION

Approximate necessary Torque or Size of a unit for applications involving low inertia, low operating frequency etc. is determined as :

$$\text{TORQUE} = 9550 \times (\text{K.W.} / \text{SPEED}) \times \text{SAFETY FACTOR (K)}$$

### SAFETY FACTOR (K)

To ensure necessary transmission safety also under extreme operating conditions adequate safety factor must be considered, the value of which depends on operating conditions namely, the type of load, prime mover etc.

### ORDERING INFORMATION

1. TYPE 2. SIZE 3. VOLTAGE

### TYPICALLY

Low masses, equal loading & non-intermittent operation [2.0]  
 Low masses, light shock load & intermittent operation [2.5]  
 Medium masses, light shock load & intermittent operation [3.0]  
 Large masses, strong shock load & intermittent operation [4.0]  
 Diesel Engine Drive [4-5]  
 Compressor Driven [5-6]  
 Non-Overhauling Loads [2-3]  
 Overhauling Loads [3-4]

However, we recommend you to perform detailed calculations for which please call for our additional size selection data.

T : Torque

### IMPORTANT :

1NM = 0.102 kgm = 0.737 lb. ft.  
 Standard voltages : 24 V. D. C.; 96 V. D.C.; 190 V. D. C.  
 Other voltages on request

@ Keyways to Indian Standard wherever possible otherwise to DIN or BS.

Specifications are subject to change without notice

### Manufacturers :

### EMCO DYNATORQ PVT. LTD.

1st floor, Sita Mauli, Above Bank of Maharashtra,  
 Madanlal Dhingra Road, Panch Pakhadi,  
 Thane (W), 400 602.  
 Tel. : 022 - 2540 5490 / 2545 2244 / 2541 5913  
 Fax : 022 - 2545 2233  
 E-mail : mktg@emco-dynatorq.in  
 Internet : www.emco-dynatorq.in